



# Datasheet

## LED Satellite – D50

CAT. NO. 659315GA, 659315SA



Cat. No.	659315GA	659315SA
Type	Galaxy	Standalone
Finish	White	
Operation Mode	Non-Maintained	
Nominal Input Voltage	230 - 240 V a.c. 50 Hz	
Battery	Li-Ion 12.8 V 1.5 Ah (Part. No: 659204)	
Power Consumption	3 W	
LED Lamp Life	100,000 hrs	
Body Construction	Metal (Satellite head) Polycarbonate (Remote pack)	
Operating Temperature	-40°C to 40°C (Satellite head only) 10°C to 40°C (Remote pack)	
IK Rating	IK10*	
IP Rating	IP65 for (Satellite head) IP20 for (Remote pack)	
Cut-out size	Ø 102 mm	
Compliance	AS/NZS 3820, AS/NZS 2293, AS/NZS 60598, AS/NZS 4268, AS CISPR 15	
Product Marking	  R-NZ	

\* When mounted according to manufactures instructions.



# Datasheet

## LED Satellite – D50

CAT. NO. 659315GA, 659315SA



### FEATURES

- Embedded bluetooth for smart device connectivity (Galaxy model only).
- Low Power Wide Area Network type of communications utilising the LoRa platform (Galaxy model only).
- LoRa communication to maximise reliability, coverage and infiltration (Galaxy model only).
- iSmart™ temperature sensing technology for the Li-ion battery.
- Electronics designed to lengthen the life of the battery minimizing maintenance costs.
- Remote cable is length 3 meters.
- Environmentally friendly battery.
- One high brightness LED.
- Easy to install.
- 5 Year Warranty.
- Designed and Manufactured in Australia.

Cat. No.	Description	Classification C <sub>0</sub> /C <sub>90</sub>
659315GA	Galaxy LED Satellite IP65 Recessed WP Flex and Plug - White	D50
659315SA	Standalone LED Satellite IP65 Recessed WP Flex and Plug - White	D50

### SPACING TABLE

Maximum spacings between luminaires for 0.2 lux (Australia)

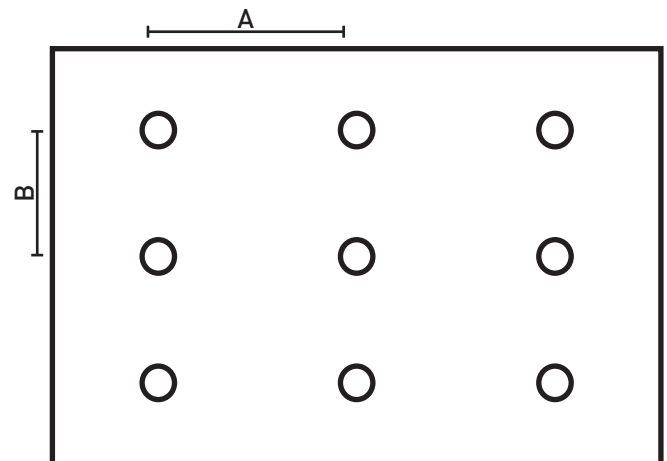
Mounting Height (m)	2.4	2.7	3	3.3	3.6	4.0
A	13.2	14.8	16.5	18.1	19.8	21.8
B	13.2	14.8	16.5	18.1	19.8	21.8

As per AS/NZS 2293.1:2018

Maximum spacings between luminaires for 1.0 lux (New Zealand)

Mounting Height (m)	2.4	2.7	3	3.3	3.6	4.0
A	10.5	10.8	11.0	11.2	11.4	11.5
B	10.5	10.8	11.0	11.2	11.4	11.5

As per AS/NZS 2293.1:2018



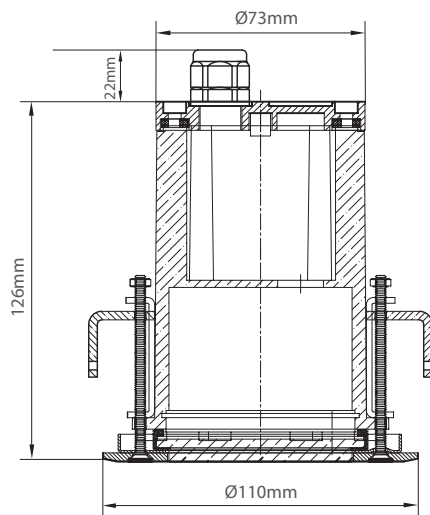
# Datasheet

## LED Satellite – D50

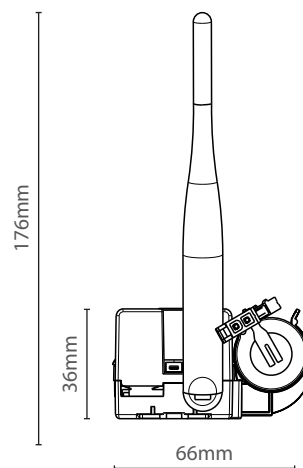
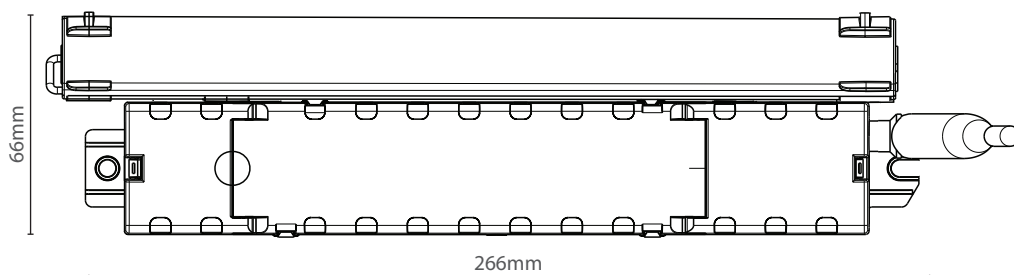
CAT. NO. 659315GA, 659315SA



### DIMENSIONS



### POWER PACK



Legrand Australia  
1300 369 777  
www.legrand.com.au  
ABN 31 000 102 661

Legrand New Zealand  
0800 476 009  
www.legrand.co.nz

Refer to your group buying office, Legrand Sales Representative or Legrand Sales Office for pricing.

Please note: specifications are subject to change without prior notice.

LE14612AA

11/20223